



Завжди на Вашому боці

Operating instructions

Exacontrol

0020159367

TRANSLATION



1 Safety

1 Safety

1.1 Action-related warnings

Classification of action-related warnings

The action-related warnings are classified in accordance with the severity of the possible danger using the following warning signs and signal words:

Warning symbols and signal words

**Danger!**

Imminent danger to life or risk of severe personal injury

**Danger!**

Risk of death from electric shock

**Warning.**

Risk of minor personal injury

**Caution.**

Risk of material or environmental damage

1.2 Intended use

There is a risk of injury or death to the user or others, or of damage to the product and other property in the event of improper use or use for which it is not intended.

You can use this room thermostat to control a heating installation with a boiler.

Intended use includes the following:

- observance of the operating instructions included for the product and any other installation components
- compliance with all inspection and maintenance conditions listed in the instructions.

This product can be used by children aged from 8 years and above and persons with reduced physical, sensory or mental capabilities or lack of experience and knowledge if they have been given supervision or instruction concerning use of the product in a safe way and understand the hazards involved. Children must not play with the product. Cleaning and user maintenance work must not be carried out by children unless they are supervised.

Any other use that is not specified in these instructions, or use beyond that specified in this document, shall be considered improper use. Any direct commercial or industrial use is also deemed to be improper.

Caution.

Improper use of any kind is prohibited.

1.3 General safety information

1.3.1 Installation by skilled tradesmen only

The installation, inspection, maintenance and repair of the product, as well as the gas ratio settings, must only be carried out by a competent person.

1.3.2 Danger caused by improper operation

Improper operation may present a danger to you and others, and cause material damage.

- ▶ Carefully read the enclosed instructions and all other applicable documents, particularly the "Safety" section and the warnings.
- ▶ Only carry out the activities for which instructions are provided in these operating instructions.

1.3.3 Risk of material damage

- ▶ Ensure that room air can circulate freely around the control, and that the control is not covered by furniture, curtains or other objects.
- ▶ Ensure that all radiator valves in the room where the control is fitted are fully open.

- ▶ Only operate the heating installation when it is in a technically perfect condition.
- ▶ Ensure that any faults and damage that may negatively affect safety are eliminated immediately.

1.3.4 Frost damage caused by switching the unit off

If you switch off the heating installation, parts of the heating installation may be damaged by frost.

- ▶ Do not disconnect the heat generator from the power grid.
- ▶ Leave the heating installation main switch in the "1" position.

1.3.5 Frost damage caused by excessively low room temperature

If the room temperature is set too low in individual rooms, sections of the heating installation might be damaged by frost.

- ▶ If you are absent during a frosty spell, ensure that the heating installation remains in operation and the rooms are warmed adequately.
- ▶ Please note the frost protection function.

2 Notes on the documentation

2 Notes on the documentation

2.1 Observing other applicable documents

- ▶ You must observe all operating instructions enclosed with the system components.

2.2 Storing documents

- ▶ Keep this manual and all other applicable documents safe for future use.

2.3 Validity of the instructions

These instructions apply for the following units only:

Product types and article numbers

	Ukraine
Exacontrol	0020159367

3 Product description

3.1 Data plate

Country of manufacture	Manufactured in Hong Kong
------------------------	---------------------------

The data plate is located on the rear of the room thermostat.

3.2 Serial number

The 7th to 16th digits of the serial number form the article number.

The serial number is located on a plate on the rear of the room thermostat.

3.3 CE marking



The CE marking shows that the products comply with the basic requirements of the applicable directives as stated on the declaration of conformity.

The declaration of conformity can be viewed at the manufacturer's site.

3.4 Ukrainian national mark of conformity



The product is marked with the Ukrainian national mark of conformity. This certifies that the product meets all the technical regulations of the Ukraine.

3.5 **Небезпека!**

- ▶ Перед монтажем прочитати інструкцію з установки!
- ▶ Перед введенням в експлуатацію прочитати інструкцію з експлуатації!
- ▶ Дотримуватися вказівок з технічного обслуговування, наведених в інструкції з експлуатації!

3.6 Production date

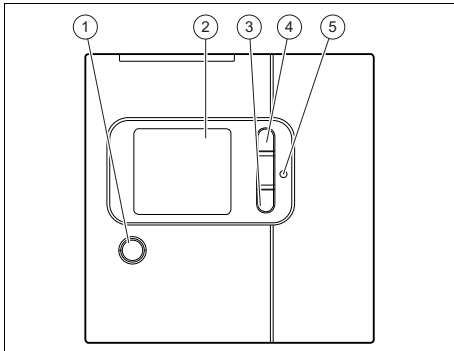
You can find the production date (week, year) in the serial number on the identification plate:

- The third and fourth digit in the serial number specify the year of production (two digits).
- The fifth and sixth digit of the serial number specify the week of production (from 01 to 52).

3.7 Design

3.7.1 Overview of the operator control elements

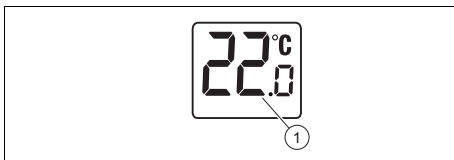
Room thermostat



- | | |
|--|--|
| <p>1 Button for back-lighting and frost protection</p> <p>2 Display</p> <p>3 "-" button (decrease a value or scroll through the selection options)</p> | <p>4 "+" button (increase a value or scroll through the selection options)</p> <p>5 "Reset" button (under the battery compartment cover)</p> |
|--|--|

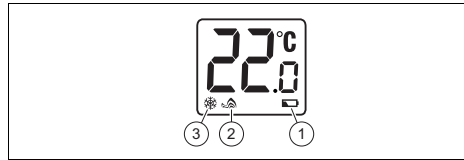
4 Operation

4.1 Description of the basic display



- 1 Display of the room temperature (5 to 45 °C) or the set target temperature in setting mode (5 to 35 °C)

4.2 Description of the display of the various functions



- | | |
|---|-------------------------------------|
| <p>1 Batteries low</p> <p>2 Heating demand sent to the boiler</p> | <p>3 Frost protection activated</p> |
|---|-------------------------------------|

5 Functions and settings

5.1 Using the heating

The room thermostat controls the heating installation in accordance with the room temperature and the target temperature.

5.2 Displaying the current target temperature

- ▶ Press one of the « ▲▼ » buttons to display the set target temperature.
 - ◁ The current target temperature is displayed for three seconds.

5.3 Applying settings

- ▶ Press the « ▲▼ » buttons to change the selected setting.
- ▶ Wait three seconds until the new setting is applied.
 - ◁ The next setting is selected.

5.4 Default setting (reset)

- ▶ Press the „RESET” button.
 - ◁ Doing this will delete all custom settings for the room thermostat.

6 Care and maintenance

5.5 Temporary decommissioning

Temporarily decommissioning the unit will conserve the batteries.

The room thermostat will then stop sending further heating demands to the floor-standing boiler.

- ▶ Press and hold the « ▲▼ » buttons at the same time for three seconds.
 - ◁ Temporary decommissioning is activated.
 - ◁ The display is off.
 - ◁ All heating functions are deactivated.
 - ◁ The unit updates the time, which is not visible in the display.
- ▶ Press any button to switch the unit back on.
 - ◁ Temporary decommissioning is deactivated.
 - ◁ The unit starts up again in accordance with the programming.

5.6 Frost protection

The frost protection function protects the heating system and apartment from frost damage.

The frost protection temperature is fixed at 5 °C.

The heating programme is deactivated.

- ▶ Press and hold the « ☀/❄ » button for five seconds.
 - ◁ The ❄ symbol flashes in the display.
 - ◁ Frost protection is activated.
 - Target room temperature for frost protection: 5 °C
- ▶ Press and hold the « ☀/❄ » button for five seconds.
 - ◁ The ❄ symbol goes out in the display.
 - ◁ Frost protection is deactivated.

6 Care and maintenance

6.1 Caring for the product

- ▶ Clean the casing with a damp cloth and a little solvent-free soap.
- ▶ Do not use sprays, scouring agents, detergents, solvents or cleaning agents that contain chlorine.

6.2 Detecting and rectifying faults

Condition: The room temperature does not reach the programmed temperature.

- ▶ Check that the thermostatic radiator valves are fully open on the radiators in the room in which the unit is installed.

Condition: The room thermostat display is off.

- ▶ Check that the batteries of the room thermostat have been correctly inserted in the battery compartment.
- ▶ Check that the battery poles are the right way round.
- ▶ Ensure that the batteries are not flat.

Condition: Transmission fault

- ▶ Ensure that the boiler is switched on.
- ▶ Check that the batteries of the room thermostat have been correctly inserted in the battery compartment.
- ▶ Check that the battery poles are the right way round.
- ▶ Ensure that the batteries are not flat.

6.3 Change batteries



Danger!

Risk of death caused by unsuitable batteries!

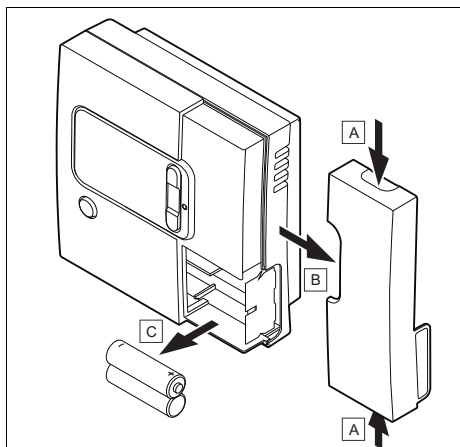
If batteries are replaced with the wrong type of battery, there is a risk of explosion.

- ▶ Ensure that you use the correct battery type when replacing batteries.

Permanently decommissioning 7

- ▶ Dispose of used batteries in accordance with the instructions in this manual.

- ▶ Instead, hand in the product to a collection centre for waste electrical or electronic equipment.



1. Open the cover of the battery compartment on the room thermostat.
2. Remove the batteries.
3. Replace the batteries with new AL-KALINE AA LR6 batteries and pay attention to the polarity of the batteries (the direction of the plus and minus poles).

7 Permanently decommissioning

- ▶ Have a competent person permanently decommission the product.

8 Recycling and disposal

- ▶ The competent person who installed your product is responsible for the disposal of the packaging.



■ If the product is labelled with this mark:

- ▶ In this case, do not dispose of the product with the household waste.



■ If the product contains batteries that are labelled with this mark, these batteries may contain substances that are hazardous to human health and the environment.

- ▶ In this case, dispose of the batteries at a collection point for batteries.

9 Guarantee and customer service

9.1 Guarantee

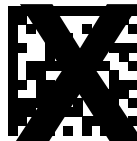
Інформацію щодо гарантії виробника ви можете отримати, звернувшись за контактною адресою, вказаною на останній сторінці.

9.2 Customer service

Контактна інформація нашої сервісної служби знаходиться за адресою, вказаною на останній сторінці та за адресою www.protherm.ua.

Publisher/manufacturer**Protherm Production s.r.o.**

Jurkovičova 45 – Skalica – 90901
Tel. 034 6966101 – Fax 034 6966111
Zákaznícka linka 034 6966166
www.protherm.sk



0020177309_03

0020177309_03 – 19.04.2021

Supplier**ДП «Вайллант Група Україна»**

вул. Лаврська 16 – 01015 м. Київ
Тел. 044 339 9840 – Факс. 044 339 9842
Гаряча лінія 0800 501 562
info@protherm.ua – www.protherm.ua

© These instructions, or parts thereof, are protected by copyright and may be reproduced or distributed only with the manufacturer's written consent.
Subject to technical modifications.